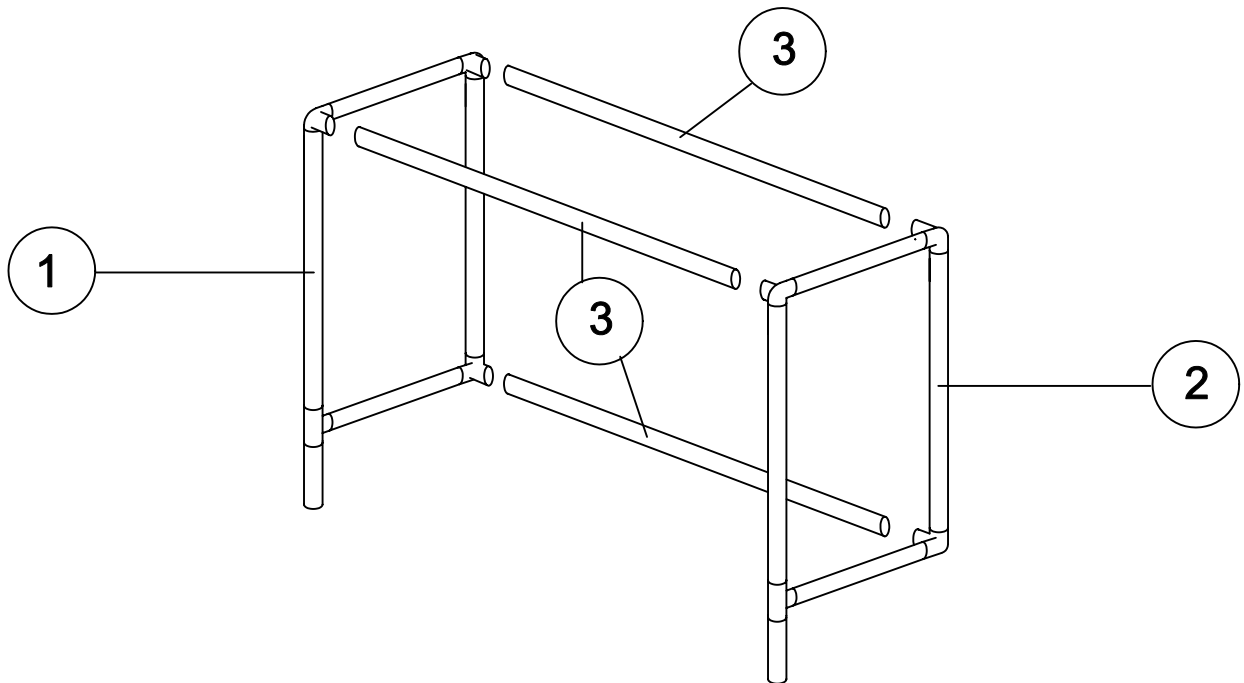
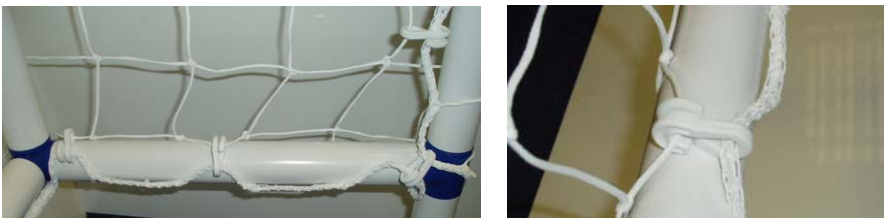


# Water Polo End Goal

140cm x 70cm x 45cm



## Net Clip Fixings



### Assembly & Safety Instructions

1. Fit item 3 crossbars to one side frame.
2. Join second side frame on to the ends of item 3.
3. Fit water polo net using quick clips as images.

**Please Note:** Not to be used with a full weight ball.

Not suitable for children under 3 years of age due to small parts (i.e. quick clips).